

LINEAR PM SLIM

Extremely high lumen output provided by sophisticated designed slim structure, Unique 5 in 1 RGBWW LED bring smooth vivid colour and pure white light, Perfect selection for high wall grazing by linear connection.



SPECIFICATION

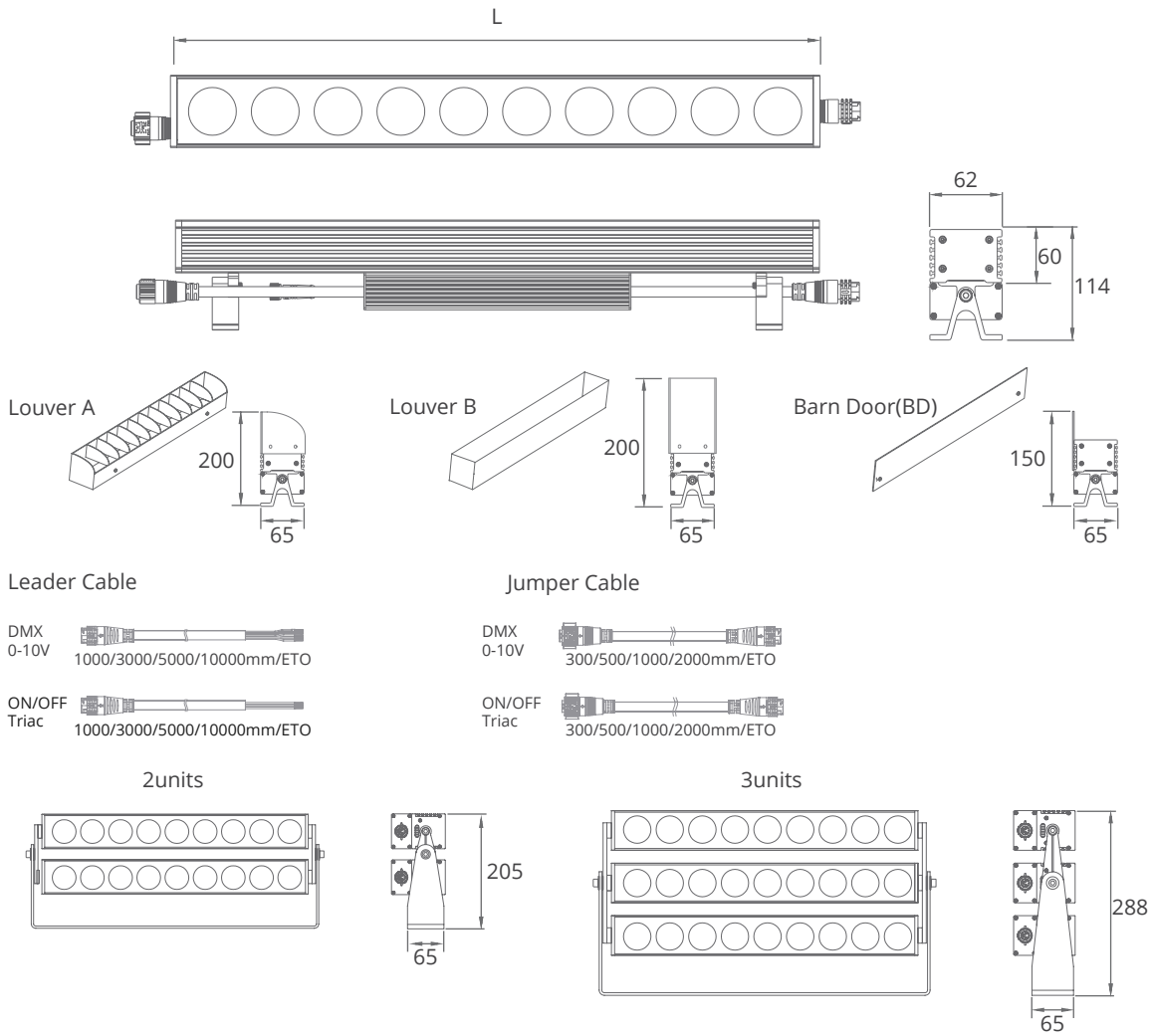
| | |
|--|--|
| MODEL | HIGH WAVE LINEAR PM SLIM |
| OPERATING VOLTAGE | AC 100-240V |
| POWER CONSUMPTION | 100W/1220mm Unit, 300W/1220mm 3Units |
| LED TYPE | 5 in 1 High Power LED |
| COLOUR TEMP OPTION | 2700K, 3000K, 3500K, 4000K, 5000K, RGB, RGBW, RGBWW |
| CRI | 90min, 80min |
| PRODUCT EFFICIENCY | 68lm/W@3000K |
| FULL WIDTH AT HALF MAXIMUM (OPTICS) | 6°, 8°*15°, 8°*30°, 8°*50°, 20°*40°, 25°, 30°*60°, 40° |
| MATERIAL | Aluminum + Tempered Glass |
| AMBIENT OPERATING TEMPERATURE | -20°C ~ +55°C |
| LUMEN MAINTENANCE | 50,000 hours/L70 at 25°C |
| DIMENSIONS | 1220(L)*62(W)*114(H)mm, 305/610/915/1000mm available |
| CABLE LENGTH | 150mm |
| CONTROL SYSTEM | ON/OFF, DMXIRDM, 0-10V Dim |
| MOUNTING TYPE | Surface |
| IP RATING | IP66 |

FEATURES & OPTIONS



- | | |
|----------------|-------------------|
| 01. CW | 10. IP66 |
| 02. NW | 11. ANTI-SALINE |
| 03. WW | 12. POLAR |
| 04. RGB | 13. DMX |
| 05. RGBW | 14. RFU |
| 06. RAL9003 | 15. RDM |
| 07. GRMEN GREY | 16. DALI |
| 08. RAL7016 | 17. WIRELESS DATA |
| 09. RAL9005 | |

DIMENSIONS



*all units are in mm

OPTIC SELECTION



6°

| CenterBeamLux | Illuminance at Distance |
|---------------|-------------------------|
| 20971.92 lx | 05.0 m |
| 5242.98 lx | 10.0 m |
| 2330.21 lx | 15.0 m |
| 1310.75 lx | 20.0 m |
| 838.88 lx | 25.0 m |
| 582.55 lx | 30.0 m |

■ Ver. Spread: 5.8° ■ Horiz. Spread: 5.9°

| LED | Lumens | Watts | Efficacy |
|-------|---------|-------|----------|
| WHITE | 5810.70 | 83.00 | 70.01 |

3000K



8°x50°

| CenterBeamLux | Illuminance at Distance |
|---------------|-------------------------|
| 2246.46 lx | 05.0 m |
| 561.62 lx | 10.0 m |
| 249.61 lx | 15.0 m |
| 140.40 lx | 20.0 m |
| 89.86 lx | 25.0 m |
| 62.40 lx | 30.0 m |

■ Ver. Spread: 6.5° ■ Horiz. Spread: 48.5°

| LED | Lumens | Watts | Efficacy |
|-------|---------|-------|----------|
| WHITE | 5976.00 | 83.00 | 72.00 |